

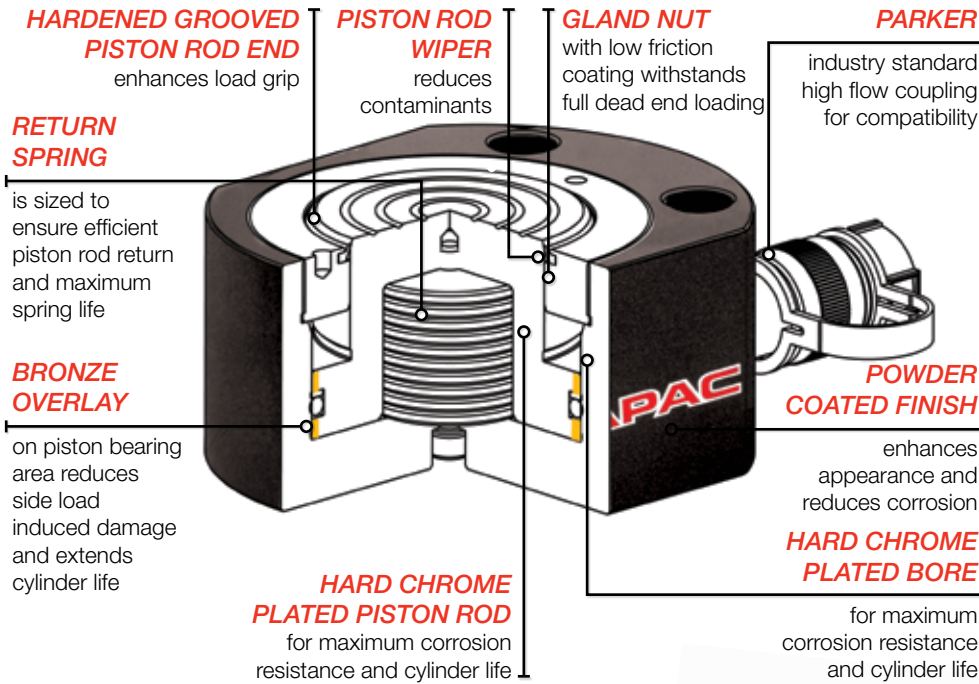
THE **RFJ-SERIES** IS A SPRING RETURN, COMPACT FLAT CYLINDER DESIGNED FOR USE IN NARROW SPACES AND AREAS WITH LOW OVERHEAD CLEARANCE.

They can be used in maintenance, machinery levelling, construction and mining applications. All RFJ-Series cylinders feature a hard chrome cylinder bore and piston rod for maximum corrosion resistance and bronze overlay piston bearing area to resist side load induced damage. Mounting holes are standard on all models and a grooved piston rod end improves load grip. For applications requiring extra closed height flexibility the RFJ stack plate kits from 5-30 ton capacity are the perfect tool.



Model Number	Cylinder Capacity ton* / kN		Stroke (mm)	Cylinder Effective Area (cm ²)	Oil Capacity (cm ³)	A Collapsed Height (mm)	B Extended Height (mm)	D Outside Diameter (mm)	E Cylinder Bore Diameter (mm)	F Piston Rod Diameter (mm)	H Base to Advance Port (mm)
RFJ-50	5	45	6	6.5	4	32	38	58x41	28.7	25.4	16
RFJ-100	10	101	12	14.5	17	43	55	82x55	42.9	38.1	19
RFJ-200	20	201	11	28.7	32	51	62	101x76	60.5	50.8	19
RFJ-300	30	295	13	42.1	55	58	71	117x95	73.2	63.4	19
RFJ-500	50	435	16	62.1	99	66	82	140x114	88.9	69.8	19
RFJ-750	75	718	16	102.6	164	79	95	165x139	114.3	82.6	19
RFJ-1000	100	887	16	126.7	203	85	101	178x153	127.0	92.2	19
RFJ-1500	150	1,386	16	198.1	317	100	116	215x190	158.8	114.3	23

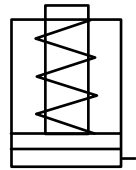
* Nominal Cylinder Capacity in ton - see kN values for actual capacity



CAPACITY
5 - 150 ton

STROKE
6 - 16 mm

MAXIMUM OPERATING PRESSURE
700 bar



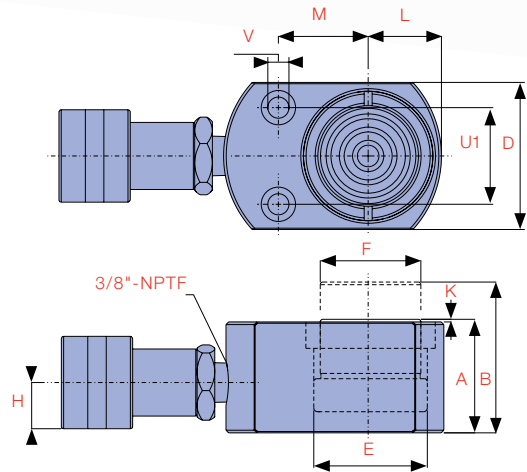
Did you know...

RFJ-50 is supplied with a whip hose and high flow coupling.



Did you know...

Durapac offers a range of stack plate kits from 5-30 ton capacity for an extra boost in collapsed height. Refer to CSK-Series for more details.



K Saddle Protrusion from Cylinder Body (mm)	L Piston Rod to Body (mm)	M Piston Rod to Mounting Hole (mm)	Base Mounting Holes				Weight (kg)	Model Number	Handle Type
			U1 Hole Pitch (mm)	V Hole Diameter (mm)	Counter Bore Diameter (mm)	Counter Bore Depth (mm)			
1	20	22	28.5	5.5	7.9	4.3	1.0	RFJ-50	
1	27	34	36.6	7.1	10.7	7.9	1.4	RFJ-100	
1	39	39	49.3	10.0	15.1	9.9	3.1	RFJ-200	
2	47	44	52.3	10.0	15.9	11.2	4.5	RFJ-300	
2	57	53	66.5	11.9	19.0	12.7	6.8	RFJ-500	
2	69	66	76.2	13.5	20.6	14.2	11.3	RFJ-750	♣
2	76	74	76.2	13.5	20.6	14.2	14.5	RFJ-1000	♣
2	95	82	117.3	13.5	20.6	14.2	26.3	RFJ-1500	♣

HANDLE TYPES: ♣ WELDED ♦ EYEBOLT ♥ REMOVABLE STRAP HANDLE ♠ THREAD